

HIGH FLOW REGENERATIVE VALVE MSV SERIES

PATENT

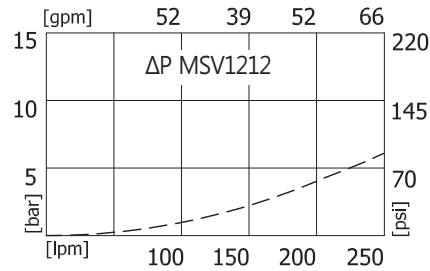
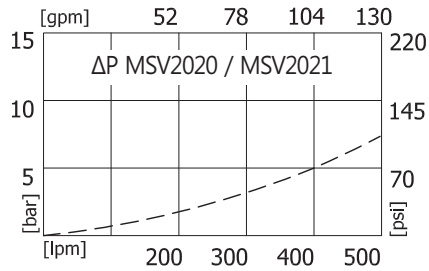
MSV1212 : for 13~18 Ton Carrier

MSV2020/2021 : for 20~40 Ton Carrier

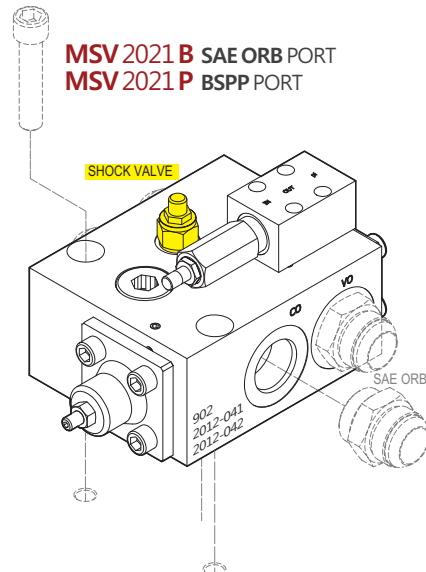
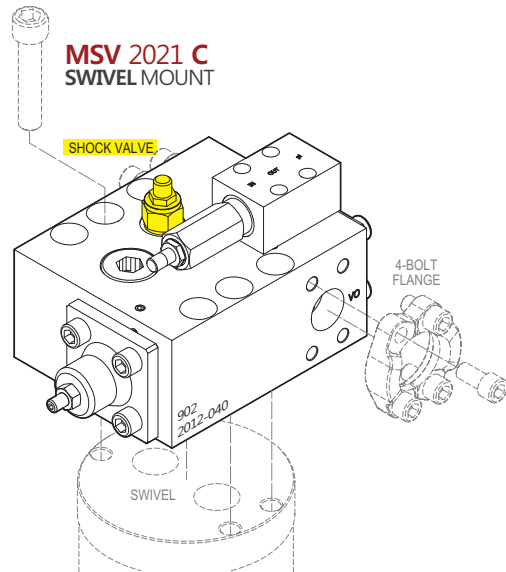
- SPOOL DESIGN : Less Sensitive to Contamination
- COMPACT DESIGN : only Two Moving Parts
- FULL BORE : Minimized Pressure Loss
- OPEN CENTER at TRANSITION POSITION : Minimized Surge Pressure
- FULL TIME VENT : Relieving Hot Oil
- FAST ACTING SHOCK VALVE : Differential Area Relief Valve



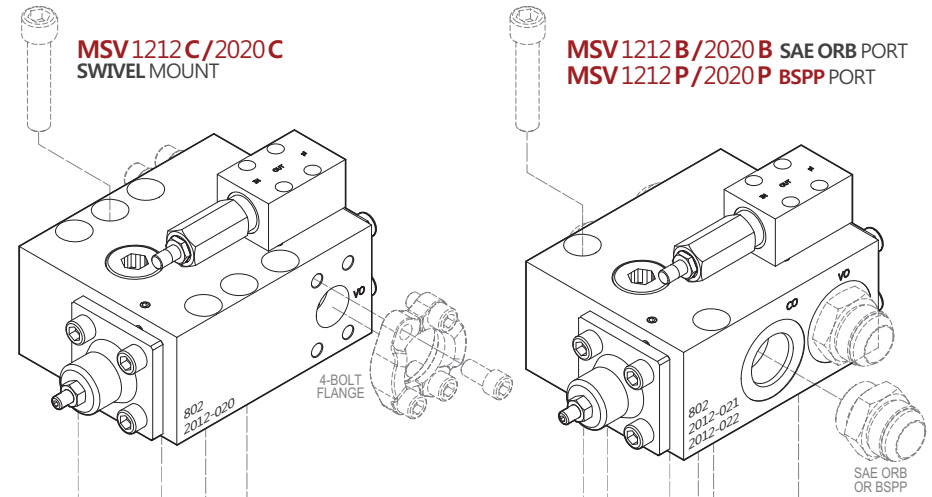
ΔP CURVE



MSV2021 BUILT-IN SHOCK VALVE, ROD SIDE

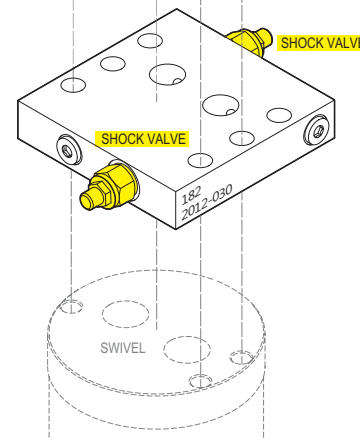


MSV1212 / MSV2020 STANDARD



OPTION SHOCK VALVE BLOCK, BOTH SIDE

FOR 1212 / 2020C



FOR 1212 / 2020B
FOR 1212 / 2020P

